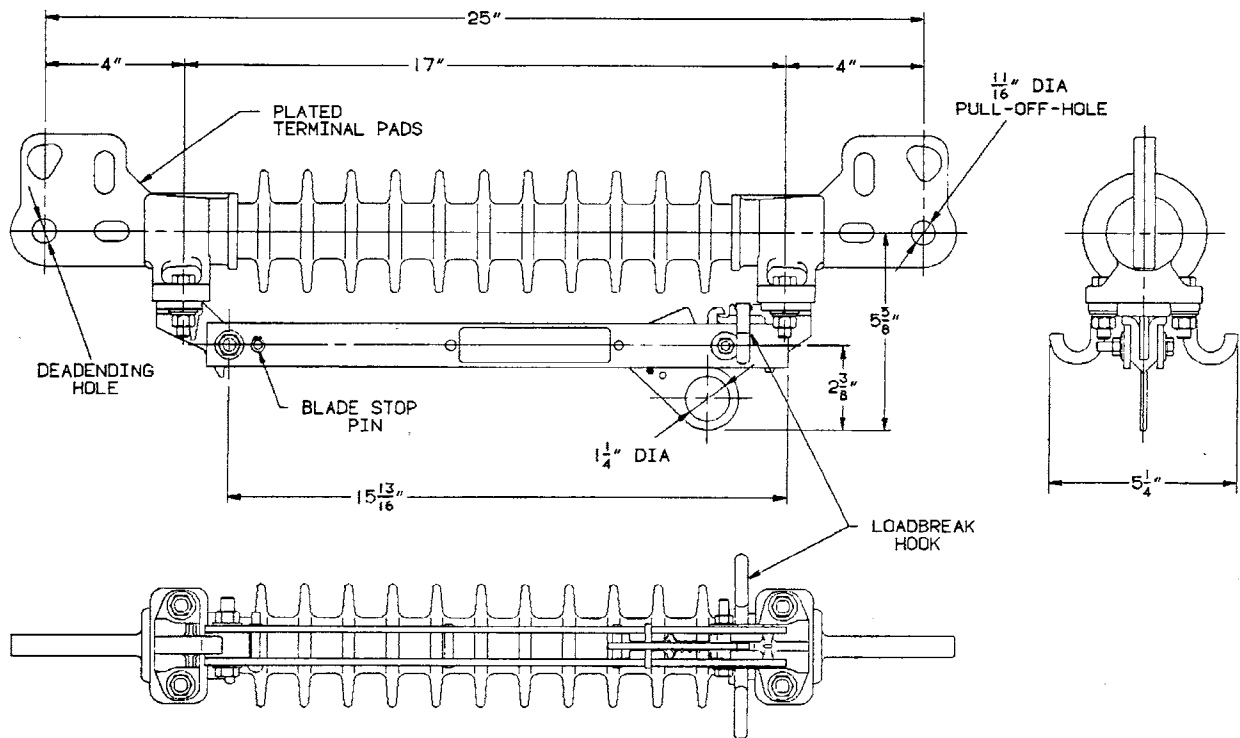


**Type ALTD Switch 600 Amp**

**ALTD with ESP™ Insulator – RUS Listed**



**ORDERING INFORMATION**

Catalog Number	BIL kV	Cont. Amps	Momentary Amperes	Rated Ultimate Strength lb.	Weight	
					lb.	kg.
†ALTD06200R	200	600	40,000	15,000	11	4.9
*ALTD06200RL	200	600	40,000	15,000	13	5.7

\*Suffix "L" indicates 600-Amp Arc Chute interrupter.

†RUS Listed.

Suffix	Description	Weight, lb.
B	4 stainless-steel terminal bolts	3/4
C	Extension link/angle adapter	3 1/2
T	Terminal Connectors (P-G Type ATC)	1

NOTE: Options B and T cannot be ordered together.